

BALDOR® • RELIANCE 

Product Information Packet

EM2551TS-12

75HP,1775RPM,3PH,60HZ,365TS,4462M,OPSB,F

Part Detail							
Revision:	N	Status:	PRD/A	Change #:		Proprietary:	No
Type:	AC	Elec. Spec:	44WGW162	CD Diagram:	CD0104	Mfg Plant:	
Mech. Spec:	44E018	Layout:	44LYE018	Poles:	04	Created Date:	08-06-2010
Base:	RG	Eff. Date:	04-08-2019	Leads:	12#8		

Specs			
Catalog Number:	EM2551TS-12	Inverter Code:	Inverter Ready
Enclosure:	OPSB	IP Rating:	NONE
Frame:	365TS	KVA Code:	F
Frame Material:	Steel	Lifting Lugs:	Standard Lifting Lugs
Output @ Frequency:	75.000 HP @ 60 HZ	Locked Bearing Indicator:	Locked Bearing
Synchronous Speed @ Frequency:	1800 RPM @ 60 HZ	Motor Lead Quantity/Wire Size:	12 @ 8 AWG
Voltage @ Frequency:	230.0 V @ 60 HZ	Motor Lead Exit:	Ko Box
	460.0 V @ 60 HZ	Motor Lead Termination:	Flying Leads
Agency Approvals:	UR	Motor Type:	4462M
	CSA EEV	Mounting Arrangement:	F1
	CSA	Power Factor:	87
Auxillary Box:	No Auxillary Box	Product Family:	General Purpose
Auxillary Box Lead Termination:	None	Pulley End Bearing Type:	Ball
Base Indicator:	Rigid	Pulley Face Code:	Standard
Bearing Grease Type:	Polyrex EM (-20F +300F)	Pulley Shaft Indicator:	Standard
Blower:	None	Rodent Screen:	None
Current @ Voltage:	174.000 A @ 230.0 V	Shaft Extension Location:	Pulley End
	87.000 A @ 460.0 V	Shaft Ground Indicator:	No Shaft Grounding

Design Code:	B	Shaft Rotation:	Reversible
Drip Cover:	No Drip Cover	Shaft Slinger Indicator:	No Slinger
Duty Rating:	CONT	Speed Code:	Single Speed
Electrically Isolated Bearing:	Not Electrically Isolated	Motor Standards:	NEMA
Feedback Device:	NO FEEDBACK	Starting Method:	Wye Start - Delta Run
Front Face Code:	Standard	Thermal Device - Bearing:	None
Front Shaft Indicator:	None	Thermal Device - Winding:	None
Heater Indicator:	No Heater	Vibration Sensor Indicator:	No Vibration Sensor
Insulation Class:	F	Winding Thermal 1:	None
		Winding Thermal 2:	None

Nameplate NP2138LUA												
CAT.NO.	EM2551TS-12			P/N				ENCLOSURE	OPSB			
SPEC.	44E018W162G1		CC	010A		FRAME	365TS		S/N			
HP	75			CLASS	F		HZ	60				
RPM	1775			PH	3		DES	B				
VOLT	230/460			KVA-CODE	F		ODE BRG	6312		DE BRG	6313	
AMP	174/87			USABLE AT	208V							
RATING	40C AMB-CONT			GREASE	POLYREX EM							
NEMA-NOM-EFF	95		PF	87		SER.F.	1.15					
HTR-VOLTS	50Hz 75Hp 190/380V 208/104A			HTR-AMPS		SF 1.0						

Parts List		
Part Number	Description	Quantity
SA201360	SA 44E018W162G1	1.000 EA
RA188659	RA 44E018W162G1	1.000 EA
HA6731	LIFTING LUG FOR 44 FRAME MOTORS.	2.000 EA
HA6616A01	CAST ADAPTOR, 44 FRAME - NEMA 364-5 - MA	1.000 EA
19XW3816A16	.38-16 X 1.00 HEX WASHER HEAD TAPTITE II	2.000 EA
HW1001A38	LOCKWASHER 3/8, ZINC PLT .688 OD, .382 I	2.000 EA
10CB3002A02	CB 309 3.62 LD HOLE, .38 MTG HOLE & 3.50	1.000 EA
19XW3118A16	.31-18 HEX WASHER HEAD TAPTITE II 1.00 L	4.000 EA
HW1001A31	LOCKWASHER 5/16, ZINC PLT.591 OD, .319 I	4.000 EA
WD1000B25	GND LUG, BURNDY L125HP OR T&B L125HP-BB	1.000 EA
19XW3118G08	.31-18X.50,HEX WSHR HD,TAPTITE 2,GREEN	1.000 EA
44EP1203A02	FREP, MACH	1.000 EA
HA4051A00	PLASTIC CAP FOR GREASE FITTING	1.000 EA
HW5100A15	W4997-050 WVY WSHR (WB)	1.000 EA
10XN3816K48	3/8-16 X 3 HEX HD CAP SCREW,Z/P	4.000 EA
HW1001A38	LOCKWASHER 3/8, ZINC PLT .688 OD, .382 I	4.000 EA
44EP1203A01	PU ENDPLATE, MACH	1.000 EA
HA4051A00	PLASTIC CAP FOR GREASE FITTING	1.000 EA
XY5013A12	NUT,1/2-13,HEX,STEEL,ZINCPLATED	8.000 EA
10CB3500SP	CONDUIT BOX LID, CAST	1.000 EA
51XW2520A12	SCREW, HEX SER SLT HD, ZN, 1/4-20 X .75	4.000 EA
HW2501H18	KEY, 1/2 SQ X 2.000	1.000 EA
LB1115N	LABEL,LIFTING DEVICE (ON ROLLS)	1.000 EA
HW4500A03	GREASE FITTING, .125 NPT 1610(ALEMITE) 8	1.000 EA

Parts List (continued)		
Part Number	Description	Quantity
HW4500A20	1/8NPT SL PIPE PLUG	1.000 EA
MJ1000A02	GREASE, MOBIL POLYREX EM - 124047	0.030 LB
HW4500A03	GREASE FITTING, .125 NPT 1610(ALEMITE) 8	1.000 EA
HW4500A20	1/8NPT SL PIPE PLUG	1.000 EA
MG1000Y03	MUNSELL 2.53Y 6.70/ 4.60, GLOSS 20,	0.080 GA
85XU0407S04	4X1/4 U DRIVE PIN STAINLESS	4.000 EA
MN416A01	TAG-INSTAL-MAINT no wire (1200/bx) 3/19	1.000 EA
44AD2001A02	BAFFLE 44 OPEN,"X"=1.50, SLOTTED BAND MT	1.000 EA
44AD2001A02	BAFFLE 44 OPEN,"X"=1.50, SLOTTED BAND MT	1.000 EA
HA3175A02	THRUBOLT STUD 1/2-13 X 24.500 - GRADE 2	4.000 EA
LB1119N	WARNING LABEL	1.000 EA
LC0104A01	CONNECTION DIAGRAM	1.000 EA
NP2138LUA	ALUM SUPER-E UL CSA-EEV PREM CC (300SER)	1.000 EA
44PA1000	PK GP COMB PRINT 39-3/8X31X23-7/8	1.000 EA

AC Induction Motor Performance Data

Record # 31071 - Typical performance - not guaranteed values

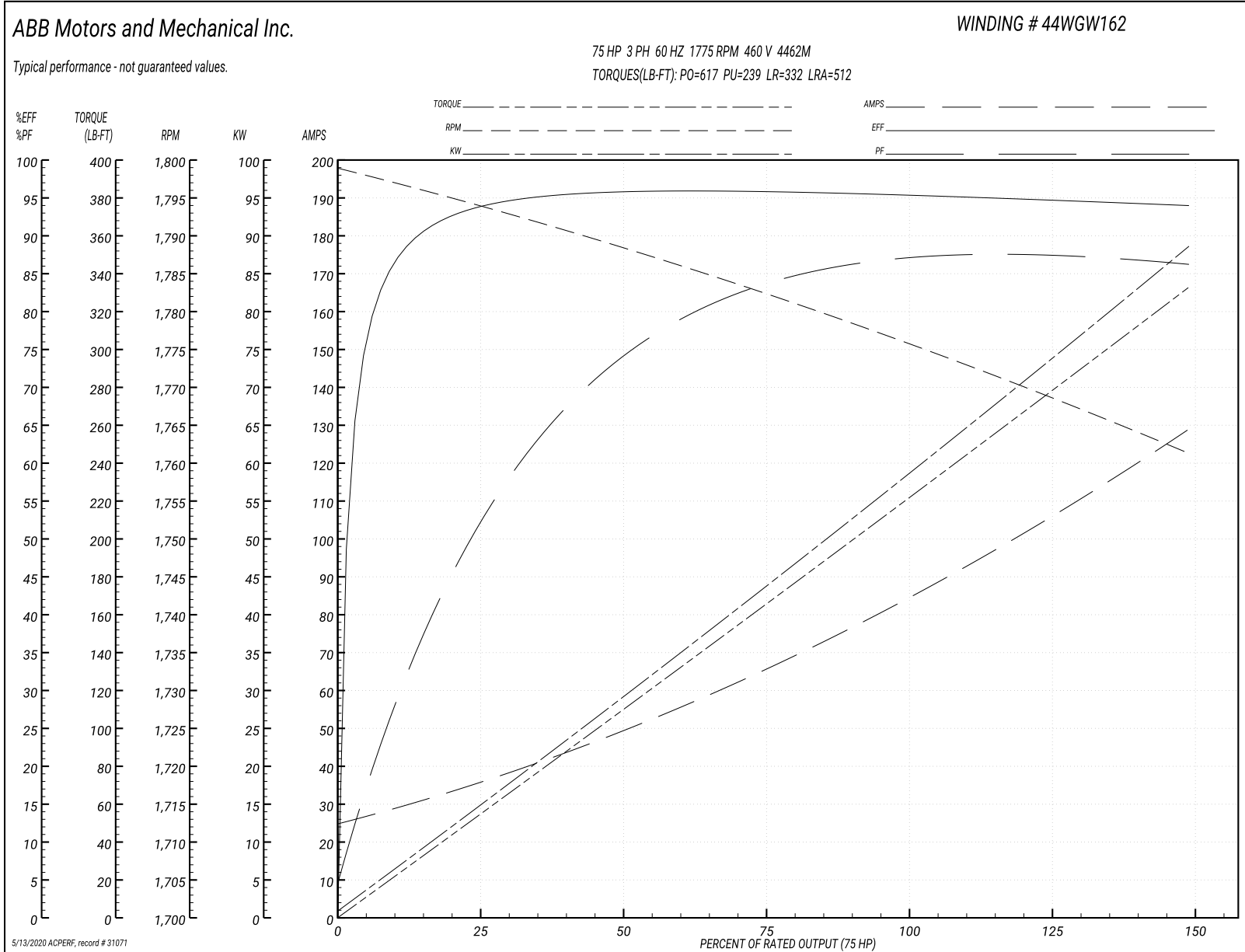
Winding: 44WGW162-R001	Type: 4462M	Enclosure: OPEN
-------------------------------	--------------------	------------------------

Nameplate Data				460 V, 60 Hz: High Voltage Connection	
Rated Output (HP)	75			Full Load Torque	222 LB-FT
Volts	230/460			Start Configuration	direct on line
Full Load Amps	174/87			Breakdown Torque	617 LB-FT
R.P.M.	1775			Pull-up Torque	239 LB-FT
Hz	60	Phase	3	Locked-rotor Torque	332 LB-FT
NEMA Design Code	B	KVA Code	F	Starting Current	512 A
Service Factor (S.F.)	1.15			No-load Current	26.4 A
NEMA Nom. Eff.	95	Power Factor	87	Line-line Res. @ 25°C	0.0781 Ω
Rating - Duty	40C AMB-CONT			Temp. Rise @ Rated Load	30°C
S.F. Amps				Temp. Rise @ S.F. Load	37°C
				Locked-rotor Power Factor	26.3
				Rotor inertia	11.7 LB-FT ²

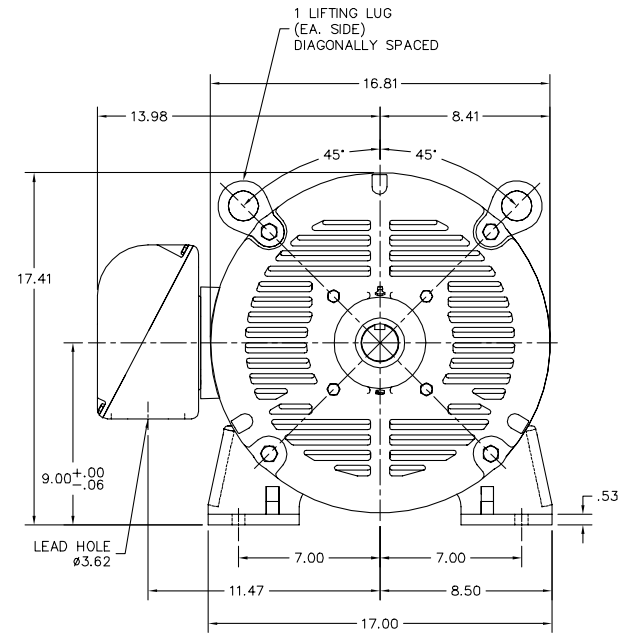
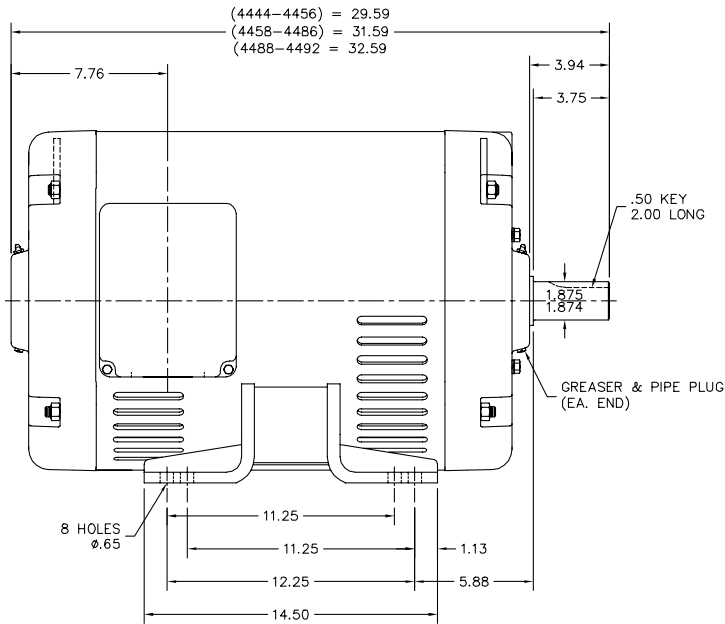
Load Characteristics 460 V, 60 Hz, 75 HP

% of Rated Load	25	50	75	100	125	150	S.F.
Power Factor	56	77	83	87	87	87	87
Efficiency	93.6	95.5	96	95.3	94.9	93.9	95.1
Speed	1794	1788	1782	1776	1769	1761	1772
Line amperes	34.1	48.2	66.2	87	106	128	97.8

Performance Graph at 460V, 60Hz, 75.0HP Typical performance - Not guaranteed values



44LYE018

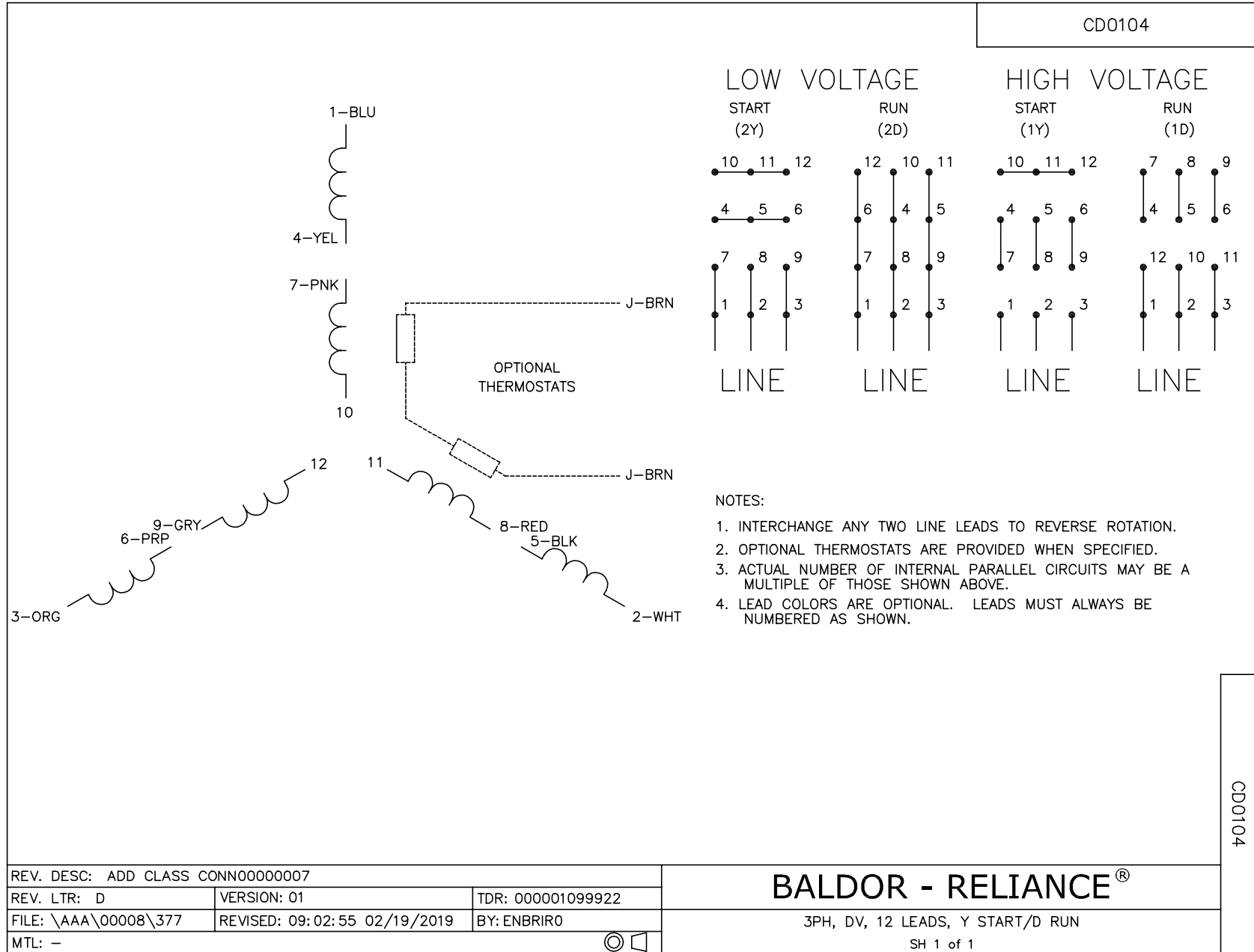


44LYE018

CUSTOMER IS RESPONSIBLE FOR DETERMINING THAT BALDOR'S PRODUCT WILL PERFORM SUITABLY IN THE INTENDED APPLICATION.

REV. DESC: UPDATE LAYOUT TO INCLUDE 4478M STACK		
REV. LTR: E	VERSION: 03	TDR: 000000889750
FILE: \AAA\00040\967	REVISED: 10:26:57 01/30/2015	BY: ENKENHG
MTL: -		

BALDOR
 HORZ OPSB 364-5TS
 SH 1 of 1



Marketing maintained PDF of MN416:

[MN416?ManNumber=MN416](#)